

TS1200 Series



TS1200 Tripod Turnstile

TS1211 Tripod Turnstile
(w/ controller and RFID reader)

TS1222 Tripod Turnstile
(w/ controller and combination fingerprint & RFID reader)

The ZKAccess TS1200 tripod turnstile series is a compact and cost-effective entrance control system designed for high-traffic volume.

The TS1200 is a 2-lane tripod turnstile series designed for smooth and silent operation and draws very little power. It's made of stainless steel which makes TS1200 highly durable. TS1200 is also surprisingly compact and designed to operate in small work places.

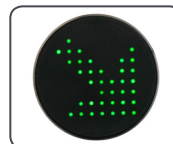
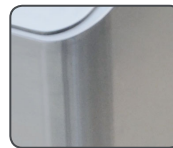
TS1200 tripod arms are normally held in a locked position, thus denying passage to the secured side. Upon TS1200's reader (RFID and/or fingerprint) positively recognizing a user's valid access card or fingerprint, its tripod arms unlock, thus allowing users passage to the secured side.

Option for built-in REX button allows users to conveniently exit the secured side without needing to use their access card or fingerprint.

During emergencies and power outages the tripod arms completely collapse, thereby ensuring users FAST unencumbered exit to safety.

TS1200 provides both **security** and **convenience**, all in a very durable compact design.

Features



Reliability

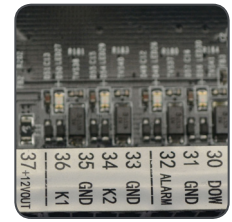
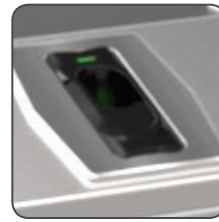
- Alloy steel tripod hub and SUS304 stainless steel casework & tripod arms ensure long-lasting durability.
- Power conservation. Electro-magnetic locks remain in "standby mode" until turnstile motor is activated.
- Patented oil lubrication system reduces need for maintenance.
- High quality electrical components

Safety Features

- Tripod-arms unlock & drop during emergencies/power loss.
- All smooth finish
No exposed screws or fasteners
- Visual indicator for access granted (or denied)
- Ergonomic design makes card and fingerprint authentication fast & simple for users.
- Secure. Supports Anti-tailgating.

Built-in Reader Integration

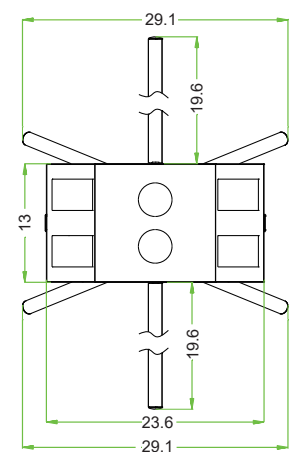
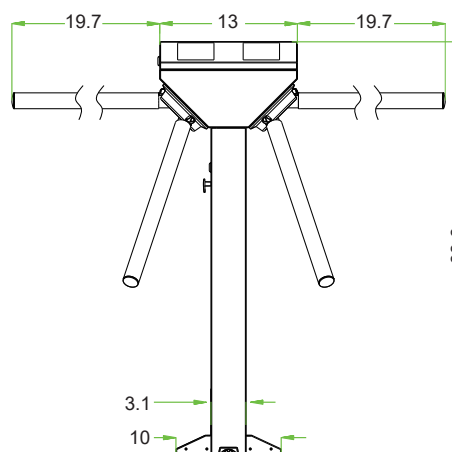
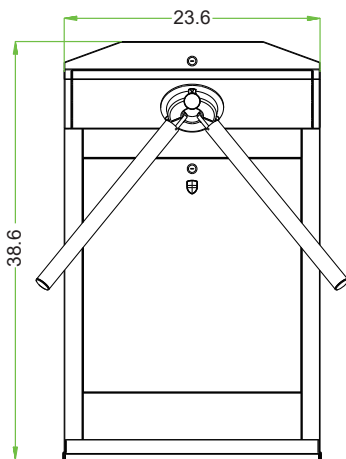
- TS1200 series ships already integrated with our customers' preference for either card or fingerprint access control reader. This greatly reduces installation time & expense.
- TS1200 series and associated access control readers are all factory-tested prior to shipping.
- ZKAccess provides true plug 'n play turnstiles with the lowest possible total cost of ownership in the industry!



Specifications

Power Supply	AC 220V/110V, 50/60Hz
Operating Temperature	-18F to 140F degrees
Operating Humidity	5%-85%
Working Environment	Indoor/Outdoor (if sheltered)
Rated Power	120W
Traffic Throughput	25-48 passages per minute
Casework Material	SUS304 stainless steel
Visual Indicator	Yes. Access granted/denied
Control System	Input controlled by dry contact
Emergency Button Input	Yes
Turnstile Dimension	23.6 x 38.6 x 13 inches + arm length 19.7 inches (59.9 x 98 x 33 centimeters + arm length 50 centimeters)
Wooden Crate Dimension	28.5 x 42.5 x 17.5 inches
Turnstile Weight	121 lbs.
Turnstile and Wooden Crate Combined Weight	139 lbs.

Dimensions (inches)



ZKTeco USA

6 Kingsbridge Road, Unit 8, Fairfield, NJ 07004
 Phone: (862) 505-2101 • Fax: (862) 204-5906 • sales@zkaccess.com • www.zkaccess.com

© Copyright 2016. ZKTeco Inc. ZKTeco Logo and ZKAccess Logo are registered trademarks of ZKTeco or a related company. All other product and company names mentioned are used for identification purposes only and may be the trademarks of their respective owners. All specifications are subject to change without notice. All rights reserved.

