



## TS1000 Series

**TS1000** Tripod Turnstile

**TS1011** Tripod Turnstile  
(w/ controller and RFID reader)

**TS1022** Tripod Turnstile  
(w/ controller and combination fingerprint & RFID reader)

The ZKAccess TS1000 tripod turnstile series is a compact and cost-effective entrance control system designed for high-traffic volume.

TS1000 is a single-lane tripod turnstile series designed for smooth and silent operation and draws very little power. It's made of stainless steel which makes TS1000 highly durable. TS1000 is also surprisingly compact and designed to operate in small workspaces.

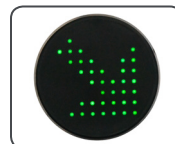
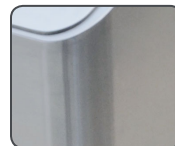
TS1000 tripod arms are normally held in a locked position, thus denying passage to the secured side. Upon TS1000's reader (RFID and/or fingerprint) positively recognizing a user's valid access card or fingerprint, its tripod arms unlock, thus allowing users passage to the secured side.

Option for built-in REX button allows users to conveniently exit the secured side without needing to use their access card or fingerprint.

During emergencies and power outages the tripod arms completely collapse, thereby ensuring users FAST unencumbered exit to safety.

TS1000 provides both **security** and **convenience**, all in a very durable compact design.

### Features



#### Reliability

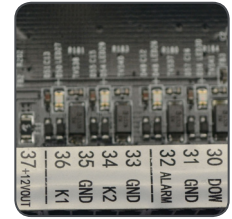
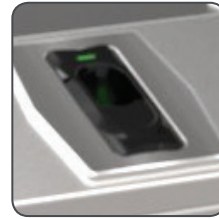
- Alloy steel tripod hub and SUS304 stainless steel casework & tripod arms ensure long-lasting durability.
- Power conservation. Electro-magnetic locks remain in "standby mode" until turnstile motor is activated.
- Patented oil lubrication system reduces need for maintenance.
- High quality electrical components

#### Safety Features

- Tripod-arms unlock & drop during emergencies/power loss.
- All smooth finish  
No exposed screws or fasteners
- Visual indicator for access granted (or denied)
- Ergonomic design makes card and fingerprint authentication fast & simple for users.
- Secure. Supports Anti-tailgating.

## Built-in Reader Integration

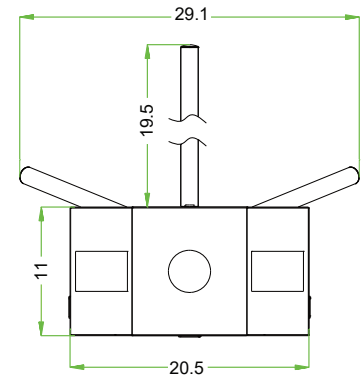
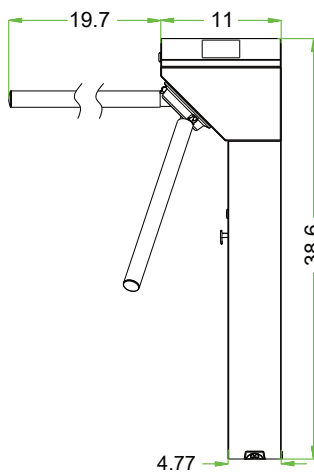
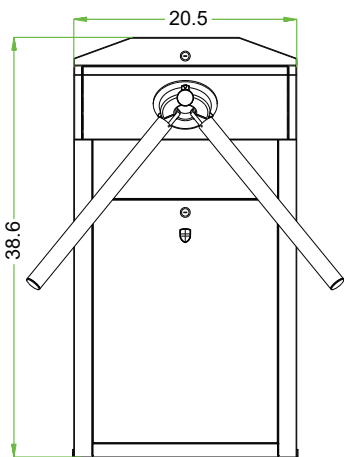
- TS1000 series ships already integrated with our customers' preference for either card or fingerprint access control reader. This greatly reduces installation time & expense.
- TS1000 series and associated access control readers are all factory-tested prior to shipping.
- ZKAccess provides true plug 'n play turnstiles with the lowest possible total cost of ownership in the industry!



## Specifications

<b>Power Supply</b>	AC 220V/110V, 50/60Hz
<b>Operating Temperature</b>	-18F to 140F degrees
<b>Operating Humidity</b>	5%-85%
<b>Working Environment</b>	Indoor/Outdoor (if sheltered)
<b>Rated Power</b>	60W
<b>Traffic Throughput</b>	25-48 passages per minute
<b>Casework Material</b>	SUS304 stainless steel
<b>Visual Indicator</b>	Yes. Access granted/denied
<b>Control System</b>	Input controlled by dry contact
<b>Emergency Button Input</b>	Yes
<b>Turnstile Dimension</b>	20.5 x 38.6 x 11 inches + arm length 19.7 inches (52.1 x 98 x 27.9 centimeters + arm length 50 centimeters)
<b>Wooden Crate Dimension</b>	23.6 x 42.5 x 15 inches
<b>Turnstile Weight</b>	75 lbs. (34 kg)
<b>Turnstile and Wooden Crate Combined Weight</b>	88 lbs. (39.9 kg)

## Dimensions (inches)



## ZKTeco USA

6 Kingsbridge Road, Unit 8, Fairfield, NJ 07004

Phone: (862) 505-2101 • Fax: (862) 204-5906 • sales@zkaccess.com • www.zkaccess.com

© Copyright 2016, ZKTeco Inc. ZKTeco Logo and ZKAccess Logo are registered trademarks of ZKTeco or a related company. All other product and company names mentioned are used for identification purposes only and may be the trademarks of their respective owners. All specifications are subject to change without notice. All rights reserved.

