



ML10

fingerprint door lock

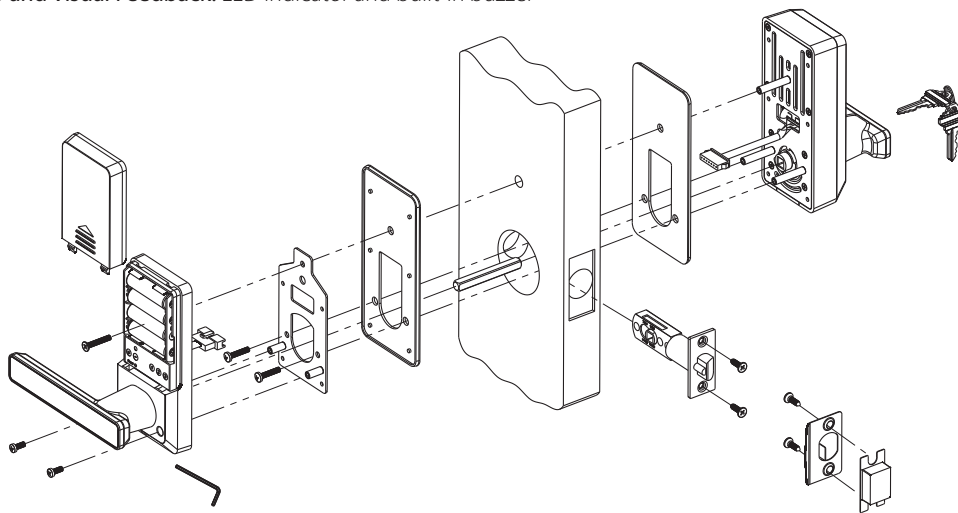
It's a DIY plug 'n play door lock replacement to your old "lock 'n key" door knob.

Features and Benefits

- **Peace of mind:** Fingerprint sensor prevents accidental lockout due to forgetting your key, ID card or PIN code.
- **Easy installation:** No wiring. Fits door widths 1 3/8" to 2 3/8". Single latch and reversible handle design
- **Rugged:** Zinc alloy body and strong handle design prevents forcible entry.
- **Reliable:** Patented independent clutch-motor design
- **Secure:** Advanced highly accurate fingerprint sensor recognizes up to 60 users (Admins, Normal and Temporary users).
- **Low power consumption:** 4 AA batteries discharge only when a user is detected.
- **Low battery warning**
- **Metal override key for emergency access:** Override Key near impossible to copy.
- **Audio and Visual Feedback:** LED indicator and built-in buzzer

Specifications

Material:	Zinc Alloy
User Capacity:	Admin - 10 users
	Normal - 60 users Temporary - 20 users
Operating Temperature:	32° - 112° F (0° - 40° C)
Power Supply:	4 x AA batteries (not included)
Backup Unlocking:	Mechanical Key and 9V battery
Dimensions: Front:	2.7(W) x 6.1(L) x 1.3(D) in
	69(W) x 155(L) x 35(D) mm
Back:	2.7(W) x 6.1(L) x 1(D) in
	69(W) x 155(L) x 25(D) mm



Part Numbers

ML10-S

Silver & Black Fingerprint Door lock

ML10-G

Gold & Black Fingerprint Door lock

ZKTeco USA

6 Kingsbridge Road, Unit 8, Fairfield, NJ 07004
Phone: (862) 505-2101 • Fax: (862) 204-5906 • sales@zkaccess.com • www.zkaccess.com