

## LB7000

Universal "Lock-Down" box for ZKAccess C3 and InBio door controllers

LB7000 is a modified ZKAccess model SC700 (access control card reader) with a unique **Lock Down** feature (button) which allows only authorized users to universally lock down all doors (connected to a ZKAccess C3 or InBio door controller) within a specified grouping.

Note during a lock down condition, none of the locked-down doors can be opened until authorized users press the **Recover** button on the LB7000 on-screen display.

Using model LB7000 as a "lock box" to lock down all your doors with a single command is fast & simple to program and operate.

When initiating a "lock down", simply access the LB7000 on-screen Main menu, select **Lock Box** and then select the group(s) of doors you wish to lock down. When ready to re-open all the locked doors, authorized user(s) simply select **Recover** on the LB7000 to resume all normal door access control permissions & schedules.

It's that simple!

LB7000 comes standard with a ZKAccess 125 KHz 26-bit (non-HID) RFID reader. Available options include HID, HID iClass and Mifare card readers.

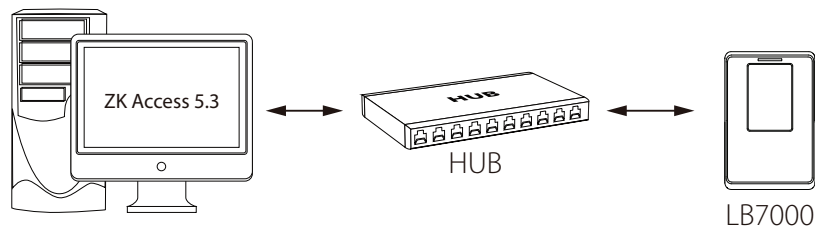
## Key Features

- 1-touch universal lockdown & recovery of pre-defined doors
- 3-inch color TFT touch screen display for easy user navigation
- Standard ZK 125 KHz EM card reader. Optional HID, HID iClass and Mifare card reader

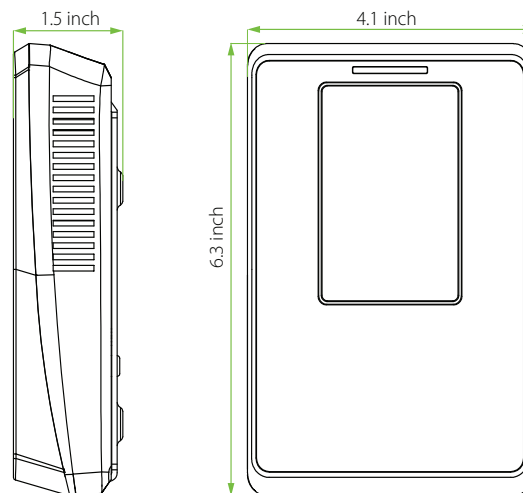
## Specifications

Display	3-inch color TFT
Communication	TCP/IP, USB Host
Standard Functions	Configure door groupings, universal lock down, universal recovery, single & dual factor ID card and password authentication
Optional Functions	HID, HID iClass, Mifare Card reader
Power Supply	12V/3A
Operating Temperature	32F - 113F
Operating Humidity	20% - 80%
Dimensions (HxWxD)	6.3 x 4.1 x 1.5 inches

## Configuration



## Dimensions



## ZKTeco USA

6 Kingsbridge Road, Unit 8, Fairfield, NJ 07004  
 Phone: (862) 505-2101 • Fax: (862) 204-5906 • sales@zkaccess.com • www.zkaccess.com

© Copyright 2016. ZKTeco Inc. ZKTeco Logo and ZKAccess Logo are registered trademarks of ZKTeco or a related company. All other product and company names mentioned are used for identification purposes only and may be the trademarks of their respective owners. All specifications are subject to change without notice. All rights reserved.