



KR503VR

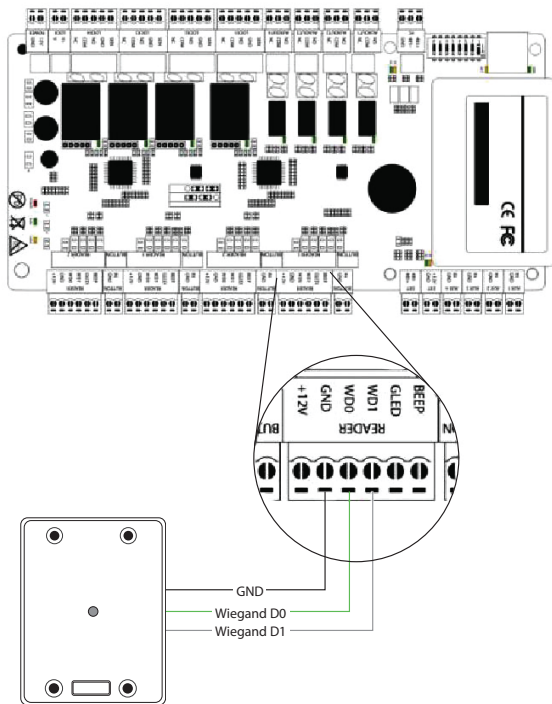
Bullet-Resistant
Proximity Card Reader

KR503VR is an outdoor IP67-rated single-gang proximity card reader designed for high-vandalism areas.

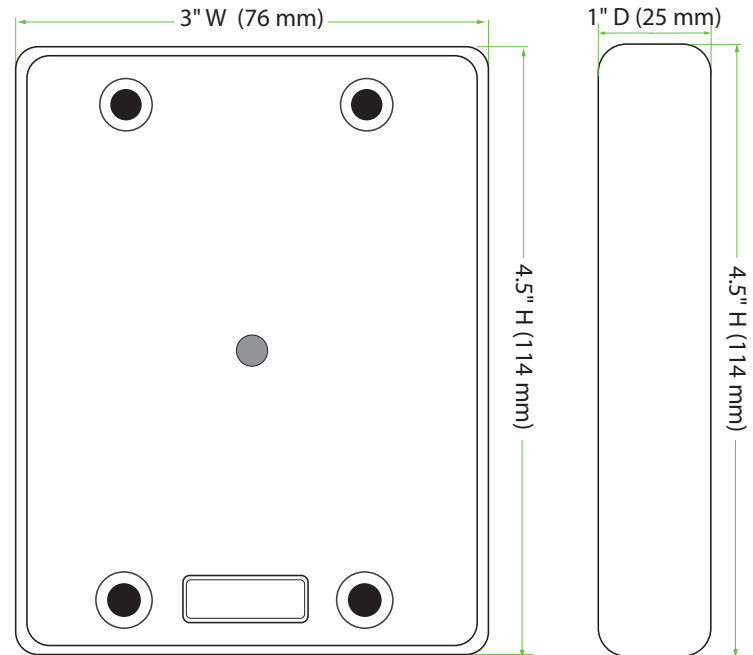
Due to its single-gang size, KR503VR is the ideal card access solution for any metal doors with thin frames, parking gates, fences, turnstiles or any security device having a narrow mounting surface located in areas prone to vandalism.

KR503VR has a built-in Wiegand-Out port which can be connected to most any access control panel (including ZKAccess C3 and InBio door controllers).

Configuration



Dimensions



Specifications

Technology	Proximity
Supported card types	HID 125 kHz
KR503VR	Single-gang, including metal doors and window frames
Range	Up to 5 inches (126 mm)
LED	Four-state standard (red, green, amber, and off)
Indoor & Outdoor Installation	Electronics sealed in weather- and tamper-resistant epoxy potting
Communication Interface	Wiegand ABA Track II
Power Supply	+5 – 16V DC
Current	30 mA typical, 75 mA peak @ 12V DC
IP-rating	67
Operating Temperature	-40° F to 149° F (-40° C to +65° C)
Dimensions (HxWxD)	3" W x 4.5" H x 1" D (76 mm x 114 mm x 25 mm)
Certifications	FCC, ICC, CE

ZKTeco USA

6 Kingsbridge Road, Unit 8, Fairfield, NJ 07004
 Phone: (862) 505-2101 • Fax: (862) 204-5906 • sales@zkaccess.com • www.zkaccess.com

© Copyright 2016. ZKTeco Inc. ZKTeco Logo and ZKAccess Logo are registered trademarks of ZKTeco or a related company. All other product and company names mentioned are used for identification purposes only and may be the trademarks of their respective owners. All specifications are subject to change without notice. All rights reserved.

