

## SC700

### Touch Screen RFID Access Control Terminal

SC700 is an RFID access control terminal with a 3-inch color TFT touch-screen display.



#### RFID Performance:

Multiple Verification Modes include RFID and/or PIN verification.



#### Communication:

Weigand output for connecting to access control panel and Ethernet port for fast and reliable network communication.



#### Capacity:

Stores up to 30,000 cards. Data can be backed up to a USB flash drive and transferred to another ProRF-T in the absence of network connectivity.



#### Options:

Internal Proximity Card or Mifare Card reader allows dual factor authentication for access control.



#### Easy Operation and Management:

Works without a computer. Complete setup and programming can be done via the SC700 keypad and embedded firmware. Audio-Visual Indication for acceptance and rejection of valid/invalid cards and passwords.



#### Full Access Control Built In:

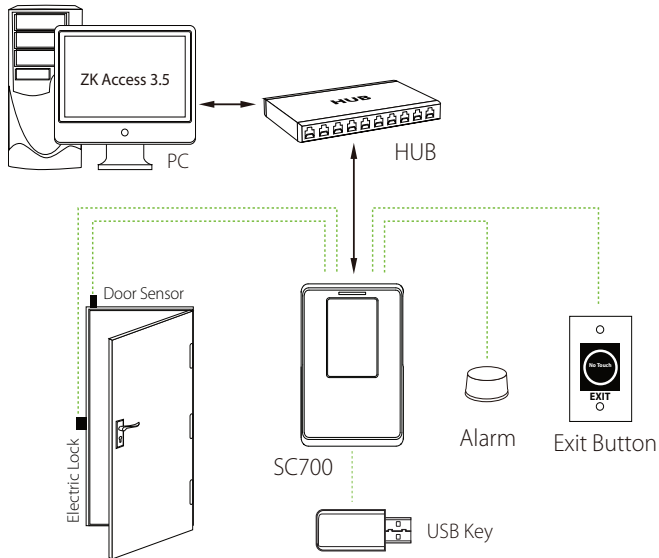
Relay Outputs for electric lock and alarm. Inputs for door status sensor and request to exit hardware. Supports multiple time zones and personnel groups for programming valid entry zones.



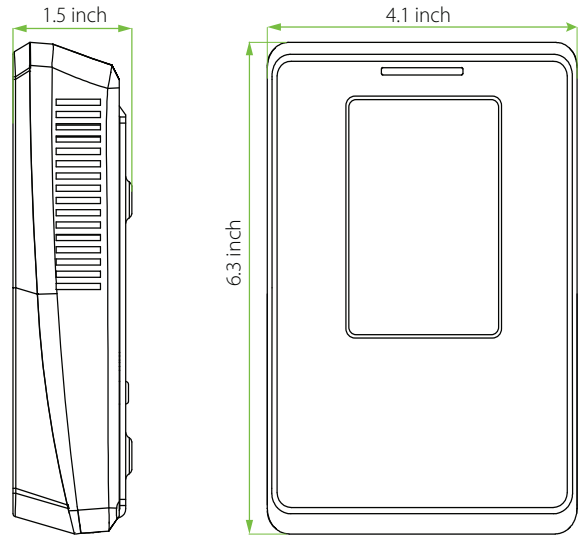
#### For Software Developers:

Free SDK and development tools are available for developers/partners who wish to integrate SC700 with any application which requires verifying people. Custom development is also available for OEM partners upon request.

## Configuration



## Dimensions



## Specifications

Display	3-inch color TFT touch screen display
ID Card Capacity	30,000 cards
Log Capacity	100,000 records
Communication	TCP/IP, USB Host
Standard Functions	Single and dual-factor ID card and password authentication
Access Control Hardware Interface	Connects 3rd Party Electric or Magnetic Lock, Door Sensor, Exit Button, Alarm
Wiegand Interface	Wiegand-In port and Wiegand-Out port
Optional Functions	Integrated Mifare card reader
Power Supply	12V/3A
Operating Temperature	32F - 113F
Operating Humidity	20% - 80%
Dimensions (HxWxD)	6.3 x 4.1 x 1.5 inches

## Part Numbers

- SC700**  
includes ZKAccess card reader
- SC700-Mifare**  
includes Mifare card reader

## Features

- 3-inch color TFT touch-screen display for easy user navigation
- Standard ZK 125 KHz EM 26-bit card reader (non-HID).  
Optional Mifare card reader available.
- Relay outputs for electric lock and alarm; Digital inputs for door status sensor and exit switch
- Stores up to 30,000 cards and 100,000 records
- Wiegand In-port can connect SC700 to 3rd party external Wiegand card readers. Wiegand-Out port can connect SC700 to most all 3rd party (and ZKAccess) access control panels with Wiegand-In ports
- Built-in speakers & LEDs provide users both audio & visual feedback

## ZKAccess

6 Kingsbridge Road, Unit 8, Fairfield, NJ 07004  
Phone: (862) 505-2101 • Fax: (862) 204-5906 • sales@zkaccess.com • www.zkaccess.com

© Copyright 2016. ZKTeco Inc. ZKTeco Logo and ZKAccess Logo are registered trademarks of ZKTeco or a related company. All other product and company names mentioned are used for identification purposes only and may be the trademarks of their respective owners. All specifications are subject to change without notice. All rights reserved.

